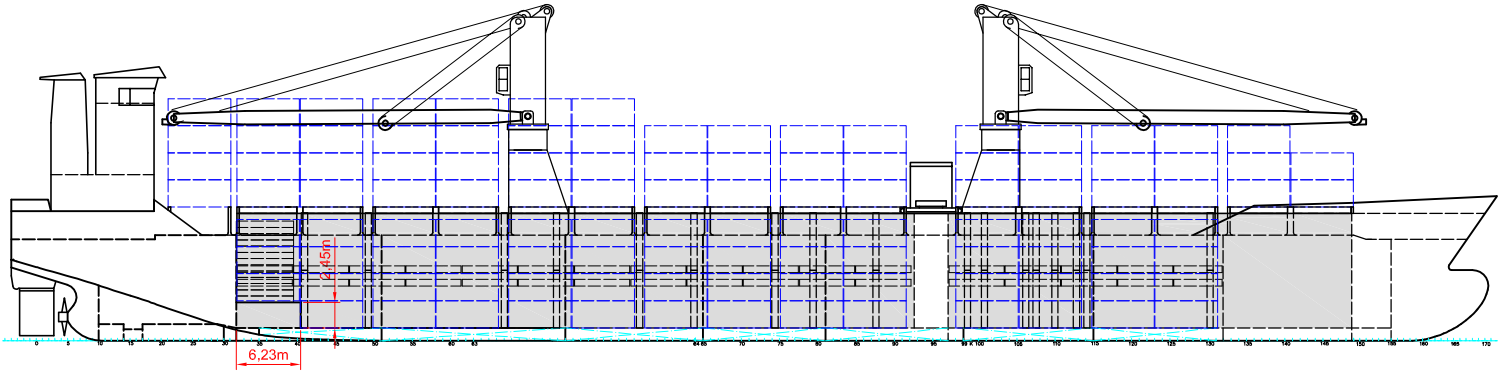
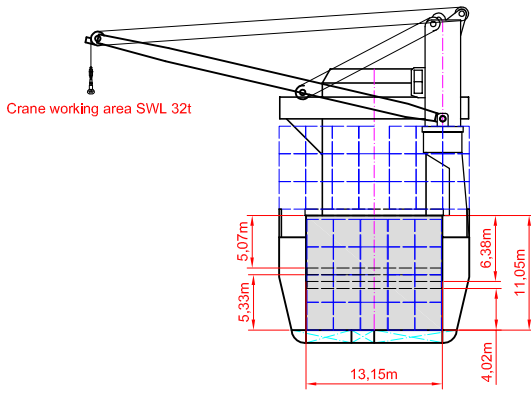
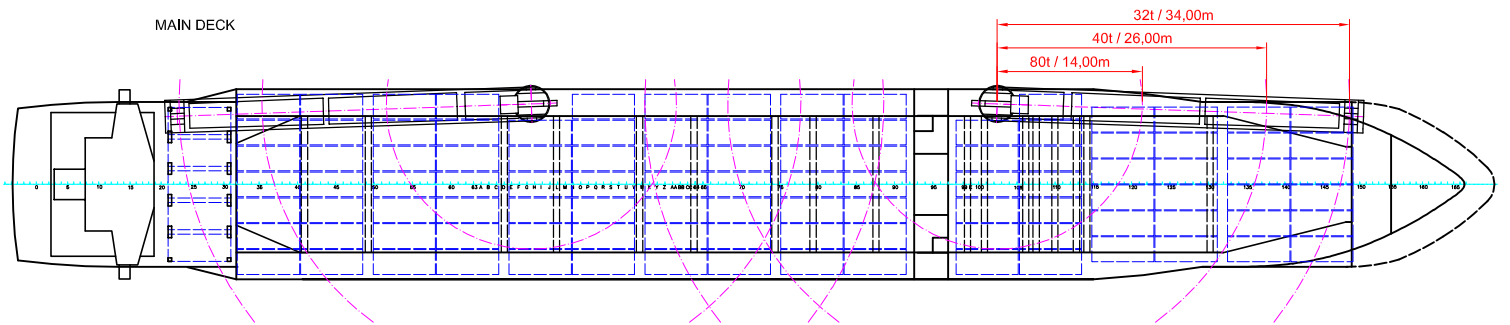


SHIP'S NAME	M/V BBC England
	Phone +49 491 9 25 20-90
Date	Telefax +49 491 9 25 20-99
29.07.09	E-mail: <a href="mailto:chartering.leer@bbc-chartering.com">chartering.leer@bbc-chartering.com</a>

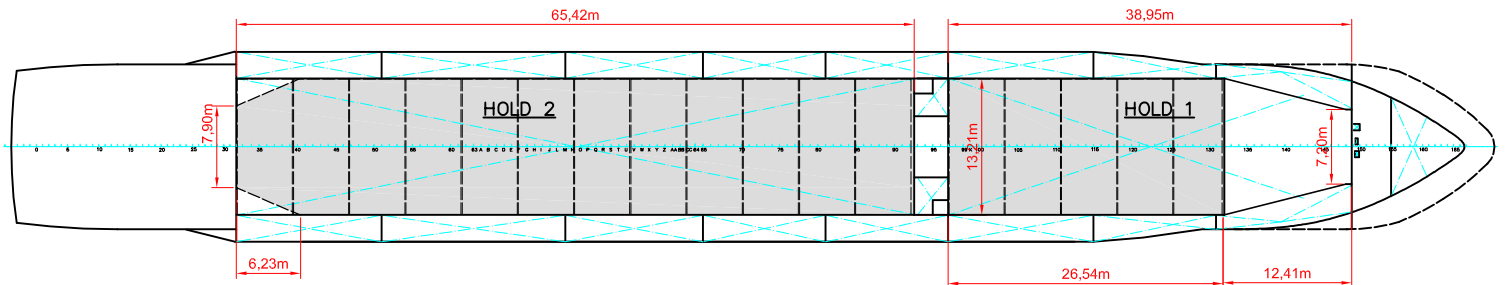
All details are about and believed to be correct but given without guarantee and they must not be used as basis for charterparties or contracts without BBC's explicit written authority



MAIN DECK



TWEENDECK



HOLDS & DOUBLE BOTTOM

